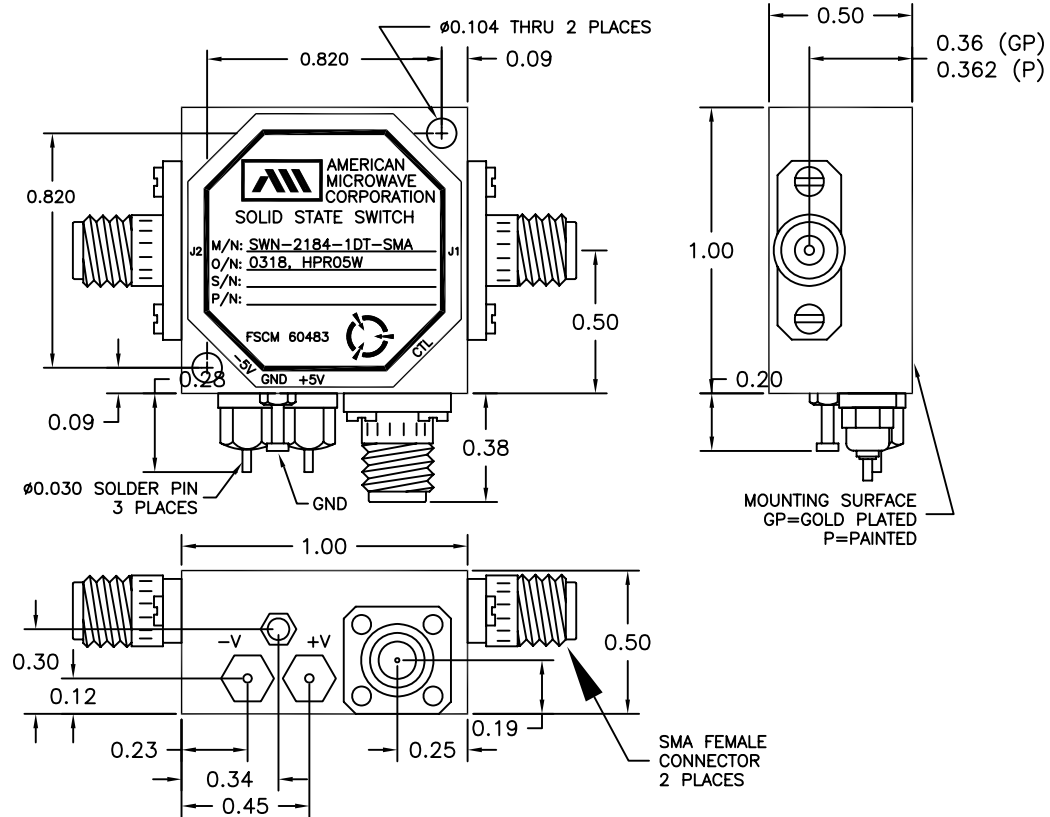


DESCRIPTION

AMC MODEL SWN-2184-1DT-SMA OPTION: 0318, HPR05W IS A ABSORPTIVE/NON-REFLECTIVE SINGLE POLE SINGLE THROW SWITCH DESIGNED TO OPERATE OVER THE FULL 0.3 TO 18 GHz FREQUENCY RANGE WITH LOW INSERTION LOSS AND HIGH ISOLATION AND WITH +25 dBm INPUT POWER.

REVISIONS				
ZONE	REV.	DESCRIPTION	DATE	APPROVED
	-	ORIGINAL RELEASE JOB# 704090N	07/02/07	

MECHANICAL OUTLINE



ALL DIMENSIONS ARE IN INCHES
TOLERANCES:
X.XX ±0.020
X.XXX ±0.010

AMERICAN MICROWAVE CORPORATION

7311-G GROVE ROAD
FREDERICK, MARYLAND 21704 USA
TEL: 301-662-4700 FAX: 301-662-4938
WEBSITE: www.americanmicrowavecorp.com
E-MAIL: sales@americanmicrowavecorp.com
ISO 9001:2000 CERTIFIED



APPROVALS		DATE	TITLE		
DRAWN <i>WLS</i>		07/02/07	MECHANICAL OUTLINE SWN-2184-1DT-SMA OPTION 0318, HPR05W 0.3 - 18 GHz SPST PIN DIODE SWITCH		
CHECKED <i>RA</i>		07/02/07	SIZE	FSCM NO.	DWG NO.
ISSUED			A	60483	100-6977-002
			SCALE N:S	SHEET 2 OF 4	

DESCRIPTION

AMC MODEL SWN-2184-1DT-SMA OPTION: 0318, HPR05W IS A ABSORPTIVE/NON-REFLECTIVE SINGLE POLE SINGLE THROW SWITCH DESIGNED TO OPERATE OVER THE FULL 0.3 TO 18 GHz FREQUENCY RANGE WITH LOW INSERTION LOSS AND HIGH ISOLATION AND WITH +25 dBm INPUT POWER.

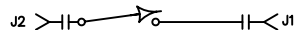
SPECIFICATIONS

- FREQUENCY RANGE: 0.3 TO 18 GHz
- INSERTION LOSS: 3.5 dB MAXIMUM
- ISOLATION: 0.3 TO 1.0 GHz: 45 dB MINIMUM
1.0 TO 12.4 GHz: 80 dB MINIMUM
12.4 TO 18.0 GHz: 70 dB MINIMUM
- VSWR: 2.0:1
- RISE TIME: 10 nSEC MAXIMUM (10% TO 90% RF)
- FALL TIME: 10 nSEC MAXIMUM (90% TO 10% RF)
- DELAY ON: 50 nSEC MAXIMUM (50% TTL TO 90% RF)
- DELAY OFF: 50 nSEC MAXIMUM (50% TTL TO 10% RF)
- POWER INPUT: +25 dBm
- SURVIVAL POWER: 1 WATT CW, 10 WATTS PEAK 1 uSec
- CONTROL: TTL LOGIC "0" = J1-J2 ON
TTL LOGIC "1" = J1-J3 ON
- POWER SUPPLY: +5V @ 90 mA MAXIMUM
-5V @ 75 mA MAXIMUM
- CONNECTORS:
RF: SMA FEMALE
CONTROL: SOLDER PIN
- SIZE: 1.20" (L) x 1.00" (W) x 0.50" (H)
- WEIGHT: 1.5 OUNCE TYPICAL

OPTIONS:

- 0318: OPTIMIZED FOR 0.3-18 GHz
- HPR05W: INPUT POWER OF +25 dBM

BLOCK DIAGRAM



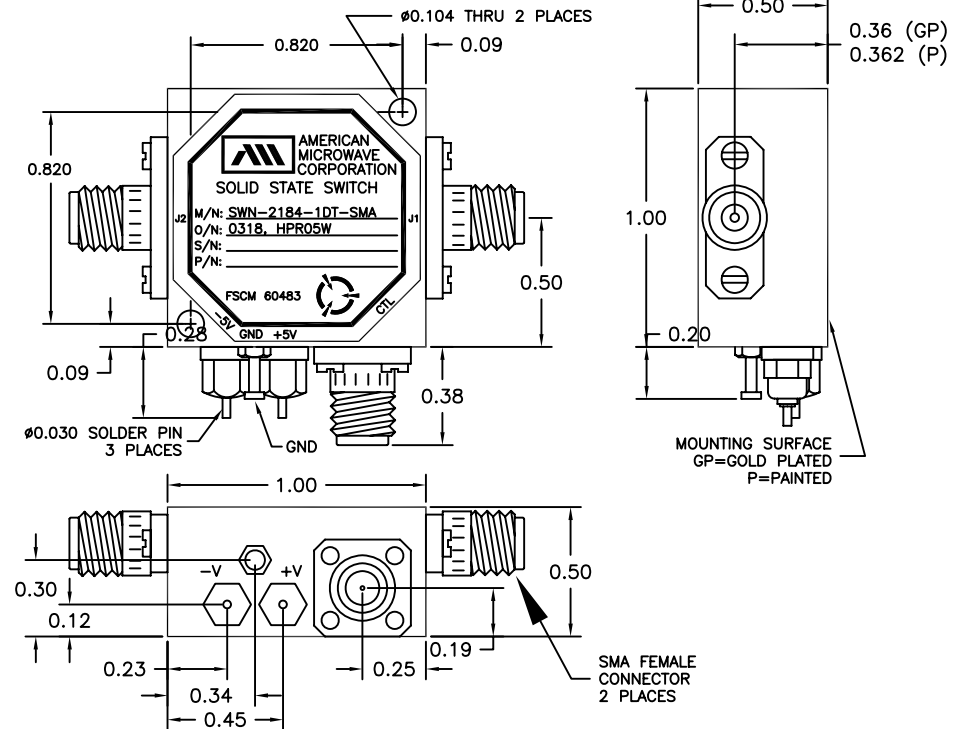
ENVIRONMENTAL RATINGS:

- TEMPERATURE: -55°C TO +85°C (OPERATING)
-65°C TO +125°C (STORAGE)
- HUMIDITY: MIL-STD-202F, METHOD 103B COND. B
- SHOCK: MIL-STD-202F, METHOD 213B COND. B
- VIBRATION: MIL-STD-202F, METHOD 204D COND. B
- ALTITUDE: MIL-STD-202F, METHOD 105C COND. B
- TEMPERATURE CYCLE: MIL-STD-202F, METHOD 107D COND. A

NOTE: SPECIFICATIONS WILL VARY OVER OPERATING TEMPERATURE
NOTE: THE ABOVE SPECIFICATIONS ARE SUBJECT TO CHANGE OR REVISION

ALL DIMENSIONS ARE IN INCHES
TOLERANCES:
X.XX ±0.020
X.XXX ±0.010

REVISIONS				
ZONE	REV.	DESCRIPTION	DATE	APPROVED
	-	ORIGINAL RELEASE JOB# 704090N	07/02/07	



AMERICAN MICROWAVE CORPORATION

7311-G GROVE ROAD
FREDERICK, MARYLAND 21704 USA
TEL: 301-662-4700 FAX: 301-662-4938
WEBSITE: www.americanmicrowavecorp.com
E-MAIL: sales@americanmicrowavecorp.com
ISO 9001:2000 CERTIFIED



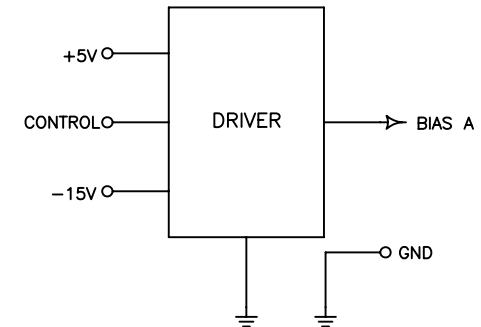
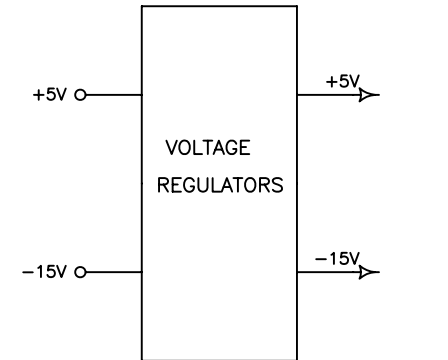
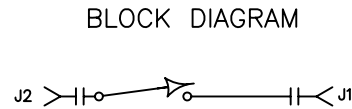
APPROVALS		DATE	TITLE			
DRAWN <i>WLS</i>		07/02/07	PRODUCT FEATURE SWN-2184-1DT-SMA OPTION 0318, HPR05W 0.3 - 18 GHz SPST PIN DIODE SWITCH			
CHECKED <i>RA</i>		07/02/07	SIZE	FSCM NO.	DWG NO.	REV.
ISSUED			A	60483	100-6977-002	-
			SCALE	N:S		SHEET 1 OF 4

DESCRIPTION

AMC MODEL SWN-2184-1DT-SMA OPTION: 0318, HPR05W IS A ABSORPTIVE/NON-REFLECTIVE SINGLE POLE SINGLE THROW SWITCH DESIGNED TO OPERATE OVER THE FULL 0.3 TO 18 GHz FREQUENCY RANGE WITH LOW INSERTION LOSS AND HIGH ISOLATION AND WITH +25 dBm INPUT POWER.

REVISIONS				
ZONE	REV.	DESCRIPTION	DATE	APPROVED
	-	ORIGINAL RELEASE JOB# 704090N	07/02/07	

FUNCTIONAL BLOCK DIAGRAM



AMERICAN MICROWAVE CORPORATION

7311-G GROVE ROAD
 FREDERICK, MARYLAND 21704 USA
 TEL: 301-662-4700 FAX: 301-662-4938
 WEBSITE: www.americanmicrowavecorp.com
 E-MAIL: sales@americanmicrowavecorp.com
 ISO 9001:2000 CERTIFIED



APPROVALS		DATE	TITLE			
DRAWN		07/02/07	FUNCTIONAL BLOCK DIAGRAM			
CHECKED		07/02/07	SWN-2184-1DT-SMA			
ISSUED			OPTION 0318, HPR05W			
SIZE	FSCM NO.	DWG NO.	REV.			
A	60483	100-6977-002	-			
SCALE N:S			SHEET 3 OF 4			